

## Rotating Angle Brackets

Zinc Die Casting, for Aluminum Profiles  
(i-Modular System)

### SPECIFICATION

#### Type

- Type **C**: With fastening set

Housing

Zinc Die Casting

Painted, white aluminum **ZW**

Fastening set

Screw and T-Nut

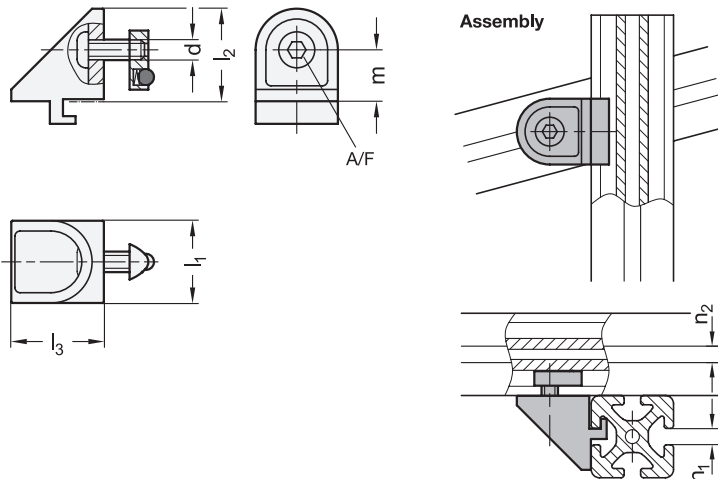
Steel, zinc plated, blue passivated **SZ**



### INFORMATION

Rotating angle brackets GN 42i connect two crossed profiles at an any angle. Machining of the profile is not necessary.

Loosening the screw simultaneously adjusts the angle and position along the grooves.



### GN 42i

Description	l <sub>1</sub>	n <sub>1</sub>	n <sub>2</sub>	d	l <sub>2</sub>	l <sub>3</sub>	m	A/F	Δ
GN 42i-2466-C-ZWSZ	24	6	6	M 6	27	27	15	4	66
GN 42i-3288-C-ZWSZ	32	8	8	M 8	36	36	20	5	130